



Vibra Screw® Inc.

Vibra Screw Vibrated Bins are self contained, ready to operate hoppers designed to provide positive discharge of a wide variety of bulk materials. A combination of controlled vibration and unique internal design features condition material to a uniform density, eliminate bridging, ratholing and packing, and insure trouble free discharge without material segregation.

Vibrated Bins are available in two models. Live Bottom Bins combine a static upper bin and lower Bin Activator. Vibration isolators and a flexible seal permit free movement of the Bin Activator without affecting the static bin. Sizes are available up to 750 cuft capacity. Live Bins are completely vibrated bins available in capacities up to 100 cuft. They have no seals and are ideally suited for sanitary applications.

Both units can be supported on their own legs or hung from overhead supports. They may be used wherever a surge bin is required such as over feeders or a process line. They also work well as batching, portable or as scale mounted weigh hoppers.

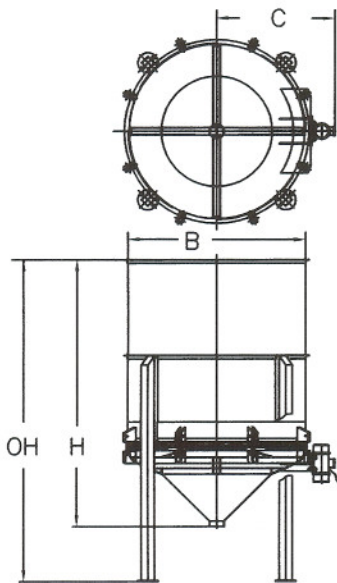


VIBRATED BINS

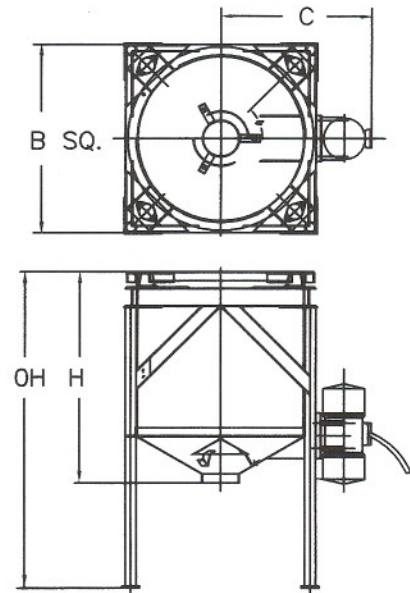
*Self-contained,
ready to operate
hoppers*



LIVE BOTTOM BINS



LIVE BINS



DIMENSIONS INCHES

MODEL CU.FT. (M)	(mm)			
	H	OH	B	C
LBB 20-3 3 (0.08)	22 1/2" (572)	41 1/2" (1054)	20" (508)	21" (533)
LBB 20-5 5 (.14)	35" (889)	54" (1372)	20" (508)	21" (533)
LBB 28-10 10 (.28)	33" (838)	52" (1321)	28" (711)	29" (737)
LBB 3-25 25 (.71)	55 1/2" (1410)	77 1/2" (1968)	36" (914)	33 1/2" (851)
LBB 3-50 50 (1.42)	91 1/2" (2324)	113 1/2" (2883)	36" (914)	33 1/2" (851)
LBB 4-100 100 (2.83)	111 1/4" (2826)	133 1/4" (3385)	48" (1219)	39 1/2" (1003)
LBB 5-200 200 (5.66)	144 1/8" (3661)	166 1/8" (4220)	60" (1524)	45 1/2" (1156)
LBB 6-300 300 (8.5)	151 1/2" (3848)	181 1/2" (4610)	72" (1829)	54 1/2" (1384)
LBB 8-500 500 (14.2)	145 1/4" (3689)	175 1/4" (4451)	96" (2438)	67" (1702)
LBB 8-750 750 (21.24)	208 1/4" (5290)	238 1/4" (6052)	96" (2438)	67" (1702)

DIMENSIONS INCHES

MODEL CU.FT. (M)	(mm)			
	H	OH	B	C
LB 20-3 3 (0.08)	23 (584)	35" (889)	25" (635)	21" (533)
LB 20-5 5 (.14)	35" (889)	47" (1194)	25" (635)	21" (533)
LB 24-8 8 (.22)	35 3/4" (908)	47 3/4" (1213)	30" (762)	25 1/2" (648)
LB 28-10 10 (.28)	34" (864)	46" (1168)	34" (864)	27 1/2" (698)
LB 30-15 15 (.43)	43" (1092)	55" (1397)	36" (914)	28 1/2" (724)
LB 36-25 25 (.71)	46" (1168)	69" (1753)	41" (1041)	34" (864)
LB 48-50 50 (1.42)	61 1/2" (1562)	84 1/2" (2146)	53" (1346)	40" (1016)
LB 48-75 75 (2.12)	85 1/2" (2172)	108 1/2" (2756)	53" (1346)	40" (1016)
LB 60-100 100 (2.83)	77" (1956)	100" (2540)	65 1/2" (1664)	46" (1168)



Vibra Screw Inc.

755 Union Boulevard, Totowa, NJ 07512 • (973) 256-7410 • Fax (973) 256-7567
info@vibrascrew.com • www.vibrascrew.com